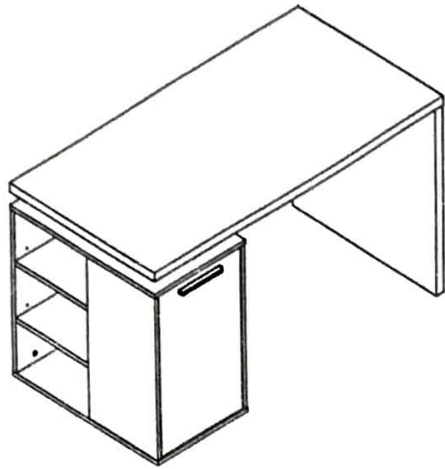
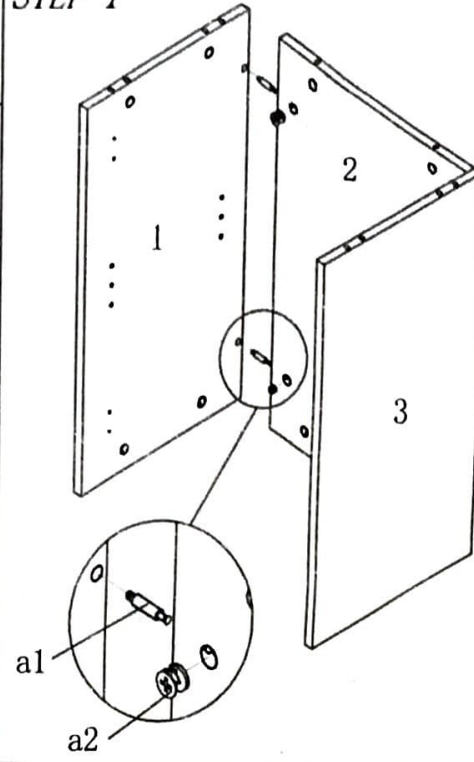


NS5811

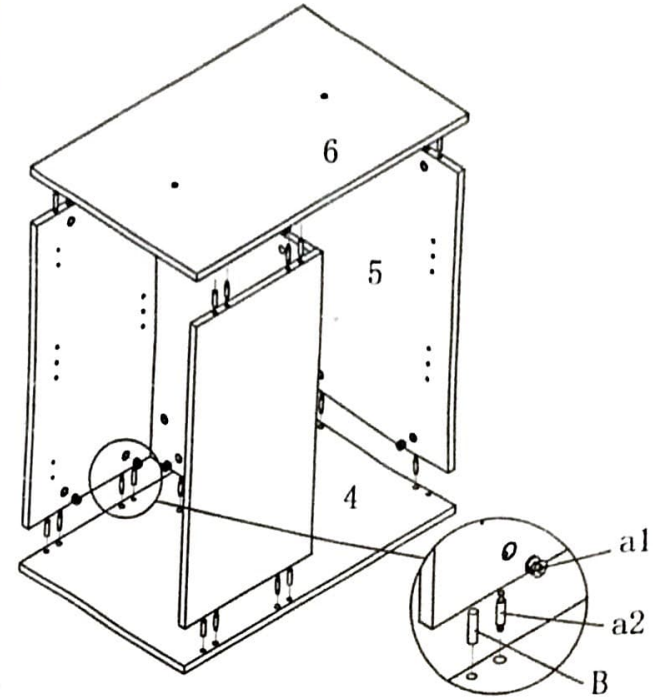


A a1 φ15mm x20	B φ8*30mm x12
C φ4*16mm x28	D x2
E x12	F M8*80 x2
G x2	H x2
I x1	J x1
K φ10*40mm x2	L

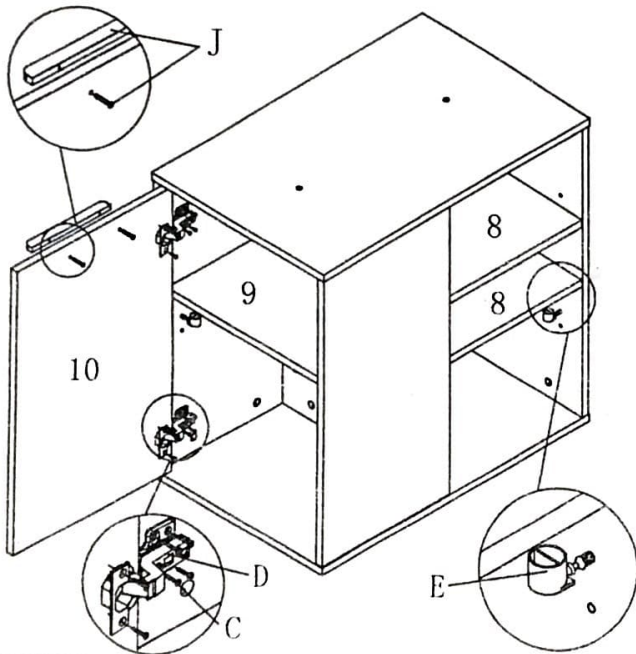
STEP 1



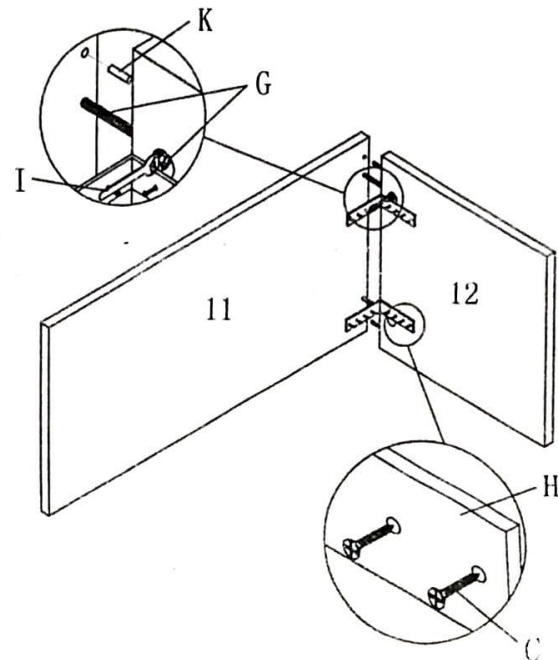
STEP 2



STEP 3



STEP 4



STEP 5

